



HYDRAULIC LIFTS

2022

**#READY
FOR WORK**



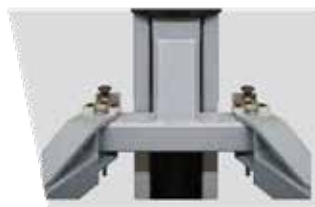
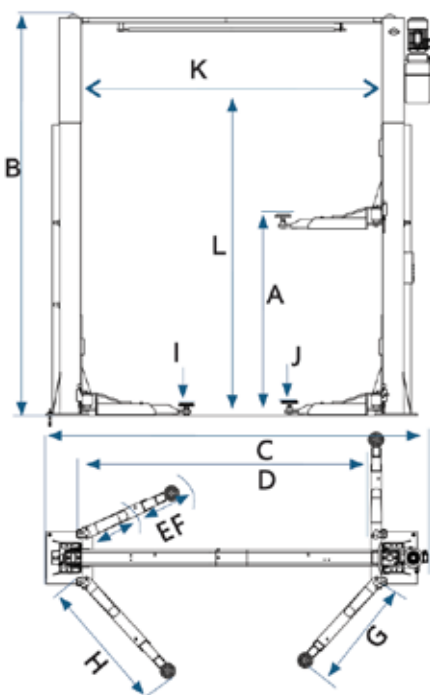
2-POST HYDRAULIC LIFT JACK, WITH TOP BAR

Art No. 1918500050 (3 Phase)

Art No. 0900700143 (1 Phase)

- CE Approved
- 115% Dynamic Load Tested
- 150% Static Load Tested
- 125% Unbalance Load Tested
- Capacity: 4000kg / 4 TON
- Weight: 715kg
- Motor Performance: 2.2kW
- Lifting time: <60 secs
- Lowering time: 20-59 secs
- Automatic lock release
- Electrical control

Diagram	Description	Value
A	Max Lifting	1900 mm
B	Overall Height	3900 mm
C	Overall Width	3384 mm
D	Drive Through Clearance	2486 mm
E	Supporting Arm Length Front Min	685mm
F	Supporting Arm Length Front Max	1100 mm
G	Supporting Arm Length Rear Min	845 mm
H	Supporting Arm Length Rear Max	1330 mm
I	Adapter Height Min	110 mm
J	Adapter Height Max	155 mm
K	Clear Size Column Spacing	2760 mm
L	Switch Off Level	2700 mm



2-POST HYDRAULIC LIFT JACK

Art No. 0900700140 (1 Phase)

- 115% Dynamic Load Tested
- 150% Static Load Tested
- 125% Unbalance Load Tested
- Capacity: 4000kg / 4 TON
- Weight: 625kg
- Motor Performance: 2.2kW
- Lifting time: <60 secs
- Lowering time: 20-59 secs
- Automatic lock release
- Electrical control

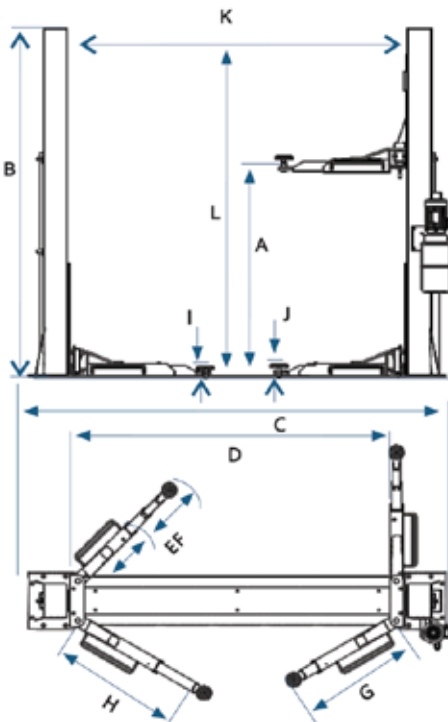


Diagram	Description	Value
A	Max Lifting	1900 mm
B	Overall Height	2826 mm
C	Overall Width	3384 mm
D	Drive Through Clearance	2486 mm
E	Supporting Arm Length Front Min	685mm
F	Supporting Arm Length Front Max	1100 mm
G	Supporting Arm Length Rear Min	845 mm
H	Supporting Arm Length Rear Max	1330 mm
I	Adapter Height Min	110 mm
J	Adapter Height Max	155 mm
K	Clear Size Column Spacing	2760 mm
L	Switch Off Level	2680 mm



HYDRAULIC SCISSORS LIFT JACK

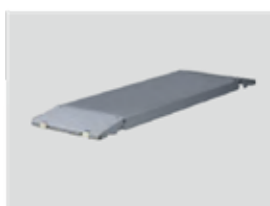
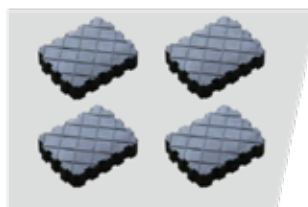
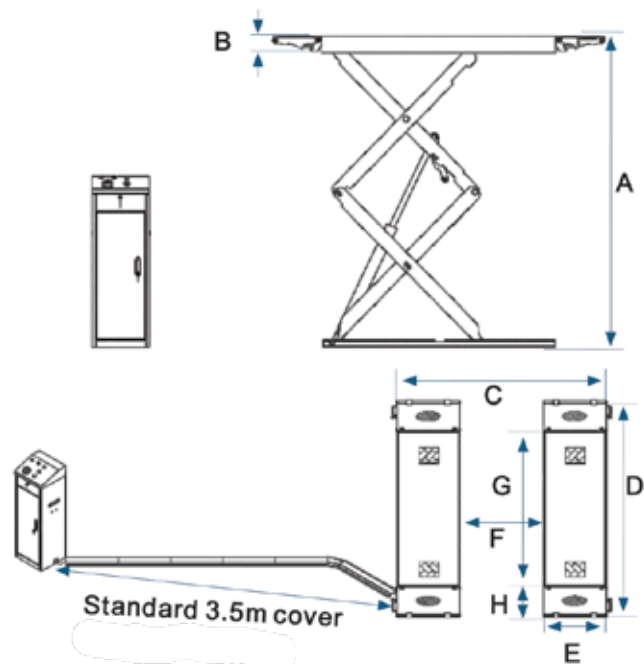
Art No. 0900705158 (3 Phase)

Art No. 0900705161 (1 Phase)

- CE Approved
- 115% Dynamic Load Tested
- 150% Static Load Tested
- 125% Unbalance Load Tested
- Capacity: 3500kg / 3.5 TON
- Weight: 875kg
- Motor Performance: 2.2kW
- Lifting time: <60 secs
- Lowering time: 20-59 secs
- One Key Leveling



Diagram	Description	Value
A	Max Lifting	1930 mm
B	Drive on Height	105 mm
C	Overall Width	2220 mm
D	Overall Length	2105 mm
E	Runway width	660 mm
F	Interval	800 mm
G	Platform length	1485 mm
H	Ramp length	310 mm
-	Adapter Pads	147 x 125 x 35 mm



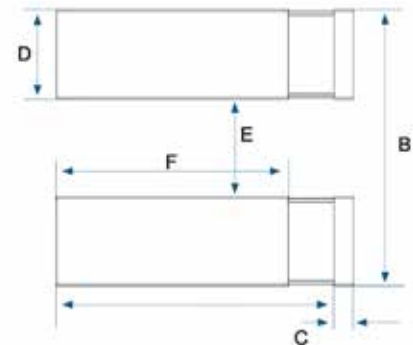
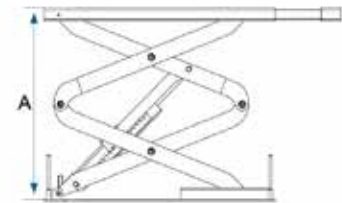
HYDRAULIC IN-GROUND SCISSORS LIFT JACK

Art No. 0900700118 (3 Phase)

- CE Approved
- 115% Dynamic Load Tested
- 150% Static Load Tested
- 125% Unbalance Load Tested
- Capacity: 3000kg / 3 TON
- Weight: 800kg
- Motor Performance: 2.2kW
- Lifting time: <60 secs
- Lowering time: ≥20 secs
- In-ground flush installation
- Pneumatic lock system
- 24V deadman control system



Diagram	Description	Value
A	Max Lifting	1820 mm
B	Overall Width	1950 mm
C	Overall Length	1540-1820 mm
D	Runway width	550 mm
E	Interval	800 mm
F	Platform length	1420 mm
-	Adapter Pads	147 x 125 x 35 mm



4-POST HYDRAULIC LIFT

Art No. 0900705146 (3 Phase)

- CE Approved
- 115% Dynamic Load Tested
- 150% Static Load Tested
- 125% Unbalance Load Tested
- Capacity: 4500kg / 4.5 TON
- Weight: 1320kg
- Motor Performance: 2.2kW
- Lifting time: <60 secs
- Lowering time: 20-59 secs
- Pneumatic lock release
- Electrical control

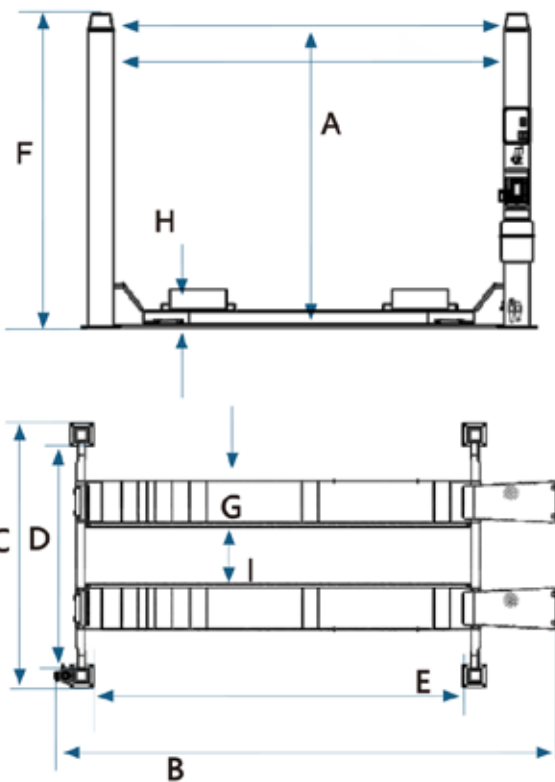


Diagram	Description	Value
A	Max Lifting	1830 mm
B	Overall Length	5850 mm
C	Overall Width	3340 mm
D	Inside of Columns	2900 mm
E	Between Columns	4940 mm
F	Column Height	2230 mm
G	Width of Runways	550 mm
H	Height of Runways	192 mm
I	Width Between Runways	800 - 1100 mm



Includes Pneumatic
2 Ton Center Jack

ACCESSORIES

RUBBER BLOCKS

Art No. 0900802185

- Natural rubber
- Length: 180 mm
- Width: 118 mm
- Height: 75 mm



TURNTABLE FOR ALIGNMENT LIFT, 2PCS

Art No. W107705146

- Aluminium
- Circular Diameter: 350mm
- Square Size: 400 x 400 mm
- Height: 50mm
- Weight: 7kg/pc
- Counter weight: 3 Ton





**#READY
FOR WORK**

HYDRAULIC LIFTS 2022

Würth Malaysia Sdn Bhd
Lot 35, Jalan Delima 1/3,
Subang Hi-Tech Industrial Park,
40000, Shah Alam, Selangor.
T +603 58888 420
M +6012 345 3493
inquiry@wurth.com.my
www.wurth.my

We reserve the right, at any time without prior notice or notice, to make any product changes that we feel necessary. Images may be for illustration purposes only and that might differ in appearance from the delivered goods. All products and items are whilst stock last. We reserve the right for misprints where we assume no liability. The General Terms and Conditions apply.



@wurthmalaysia